



UltimateAir, Inc.

178 Mill Street
Athens, Ohio 45701

Tel: 740-594-2277

Fax: 740-592-1499

www.ultimateair.com

WARMFLO High Efficiency Defrost and Post Heater *Instruction / Installation Guide*

User Guide

Thank you for purchasing the WarmFlo 2.5 Kilowatt post heater option for use with your RecoupAerator. As a post heater, the WarmFlo unit will deliver heat into the ducted space of your home or office using air flow from the RecoupAerator[®] fan.

WarmFlo Post Heat Energy Usage			
Unit CFM Delivery	Max. Temp (F)	BTU	Watts
70	124°	4234	1241
100	124°	6048	1773
150	120.5°	8505	2493
200	107.4°	8510	2494

WarmFlo Temperature Settings

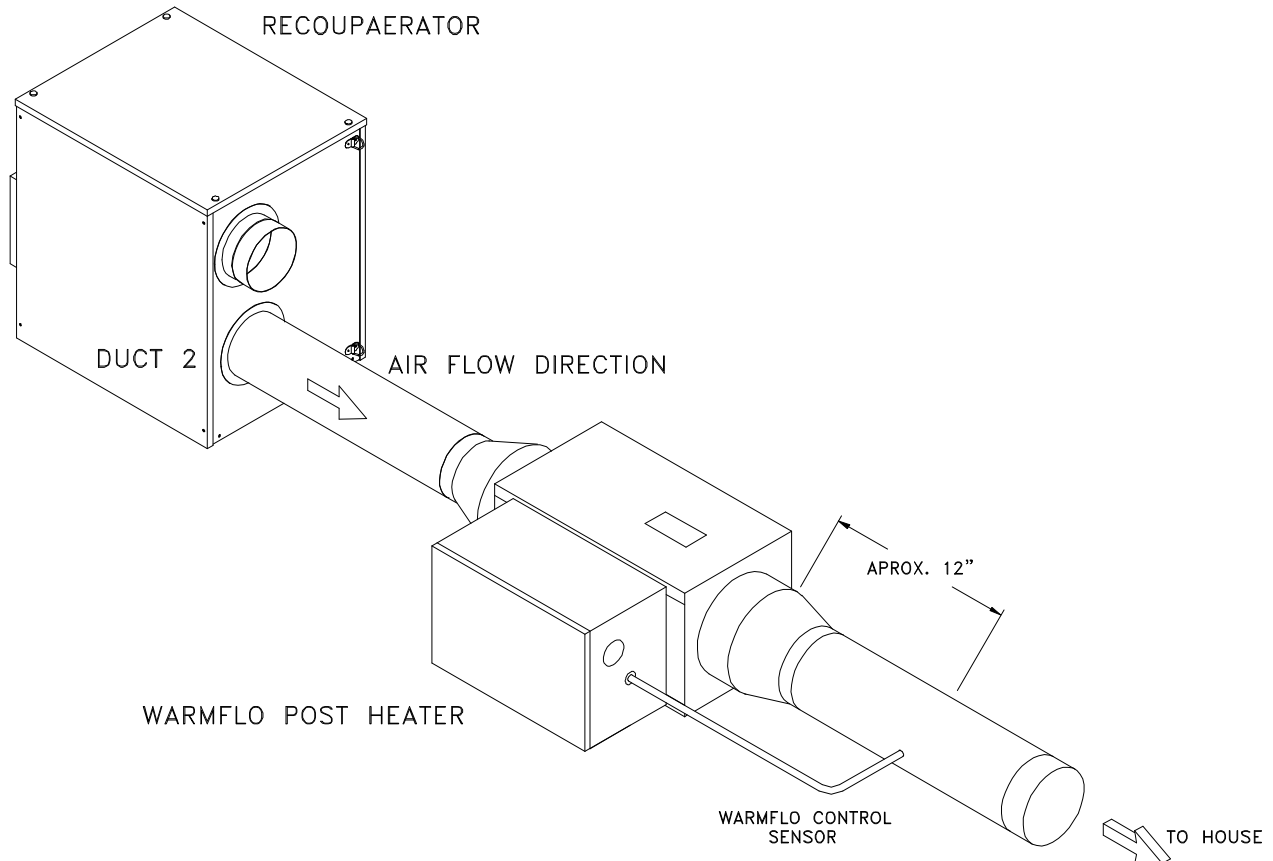
Adjusting the setting of the control knob located on the WarmFlo unit's control board may be accomplished with a small screw driver. Turn the knob to the desired setting for the required heat output. The chart below details the available settings and the corresponding output temperatures of the WarmFlo unit.

WarmFlo Control Board Settings	
Control Knob Setting	Temperature Output (F)
0	0°
1	6°
2	12°
3	18°
4	88°
5	100°
6	112°
7	124°

Call for more information on any aspect of your WarmFlo unit.

Installation of the WarmFlo Post Heater

The WarmFlo post heater connects to the “Fresh Air In” Duct to inside (noted as Duct 2 on the label). When connecting the WarmFlo, be sure that the air flow direction is consistent between the air stream and the label on the heater unit. An 8” to 6” diameter duct reducer is required to connect the WarmFlo unit to the duct section extending from the RecoupAerator. Another duct adapter will be required to connect the output of the WarmFlo to the rest of the duct system if it is a size other than 8” diameter. Screws, mastic, and/or metal tape are required to seal the ducts after making the connection. It is important that no air leakage is possible. See drawing details below.

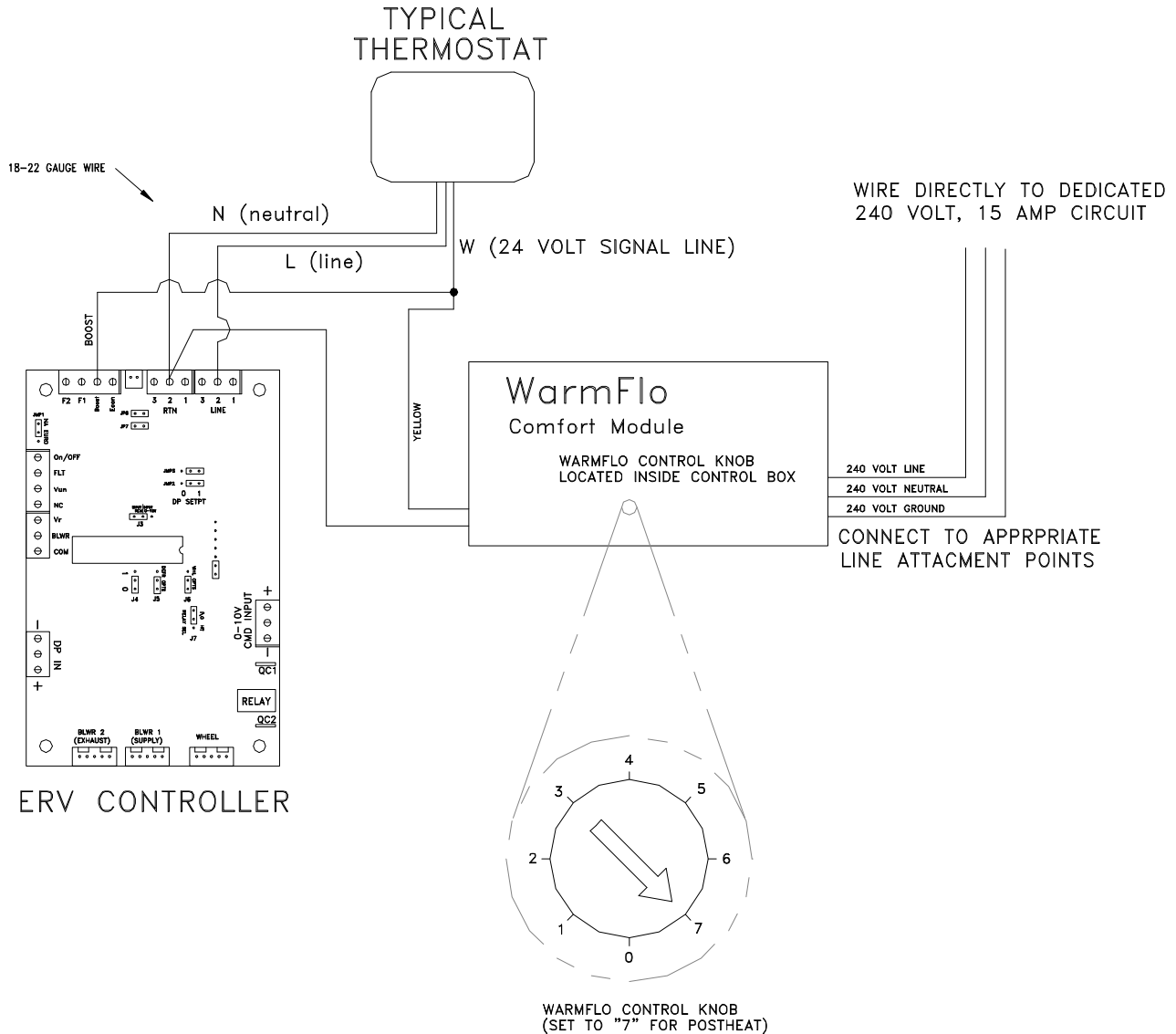


8” to 6” Duct reducers shown on intake and outlet of WarmFlo post heater.

After connecting the duct work to the WarmFlo and RecoupAerator, the WarmFlo control sensor must be installed in the duct connected to its outlet. The sensor should be installed approximately 12” from the outlet of the WarmFlo unit. To install the sensor, drill a ½” hole in the duct for the sensor to pass through. Insert the sensor into the duct. Screw the sensor mounting plate to the exterior of the duct with sheet metal screws. Seal the area around the sensor and hole with metal tape or other appropriate sealer.

WIRING

When using the WarmFlo as a post heating unit, it should be wired directly to a dedicated 240 volt, 15 amp circuit. The post heater and RecoupAerator will require a low voltage signal from a 24 VAC source, typically a thermostat, which will send a 24 VAC signal when calling for heat. See the diagram below for specific wiring details. Before operation, set the control knob within the WarmFlo unit's control box to position "7" for use as a post heater.



This wiring diagram is presented as an example only. A typical thermostat can be used to output a 24VAC signal (W) used to call for heat, which is also used to command the ERV to maximum air flow, and to allow the heater to output space heat. The WarmFlo has a self modulated, pulse heater, which has an internal control loop that controls the output temperature of the air stream. This temperature can be manually set on the WarmFlo, per instructions provided with the unit. Typically, the temperature setting will be set to maximum (position 7), as to deliver the maximum amount of btu's, which will meet the heating demand in as little time as possible. Adjustments can be made per the specific installation. Call for more information on any aspect of your WarmFlo unit.

Revised: Tuesday February 3, 2010