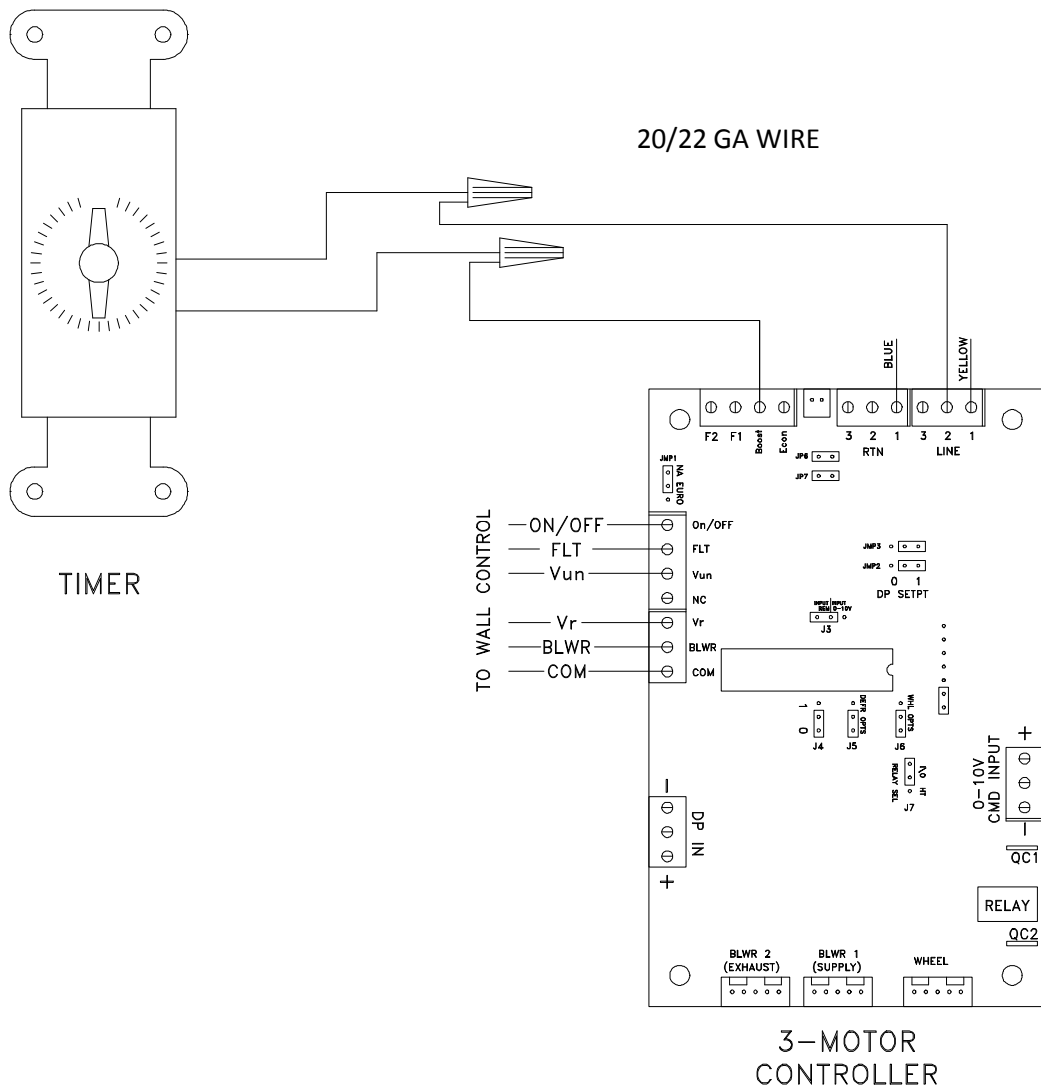




Wiring the Spring Wound Timer for Boost Controls *Installation Instructions*

The Spring Wound Timer can be used to boost the **RecoupAerator**[®] to maximum airflow for up to 60 minutes. Refer to the included Spring Wound Timer instructions for complete operating instructions.



* Note: When installation option #2B and #2C (use of forced air system ductwork and wiring to the furnace) have been utilized, the timer may not have full desired functionality, unless the furnace blower has been set to operate continuously. See the installation manual for further details.